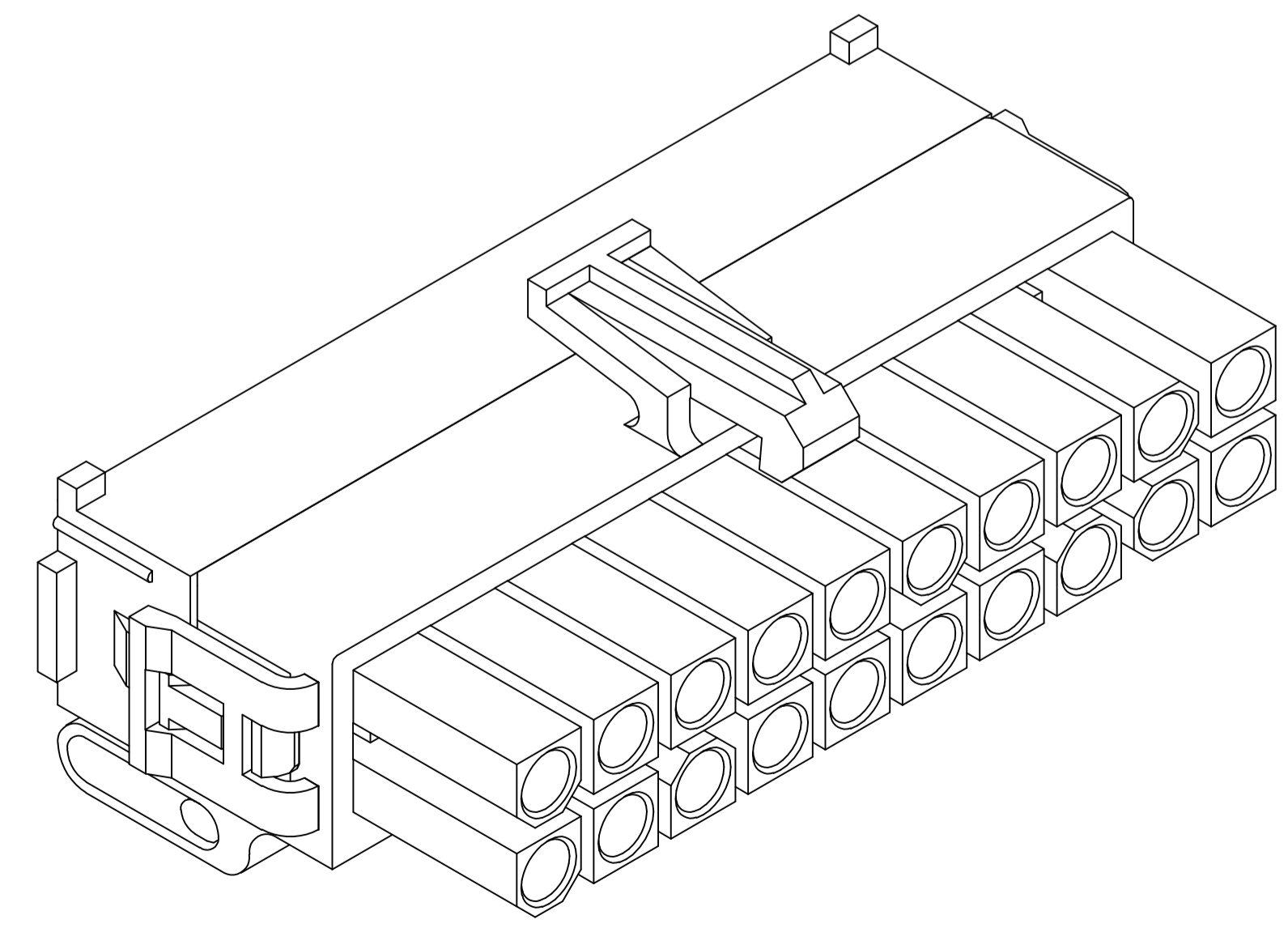
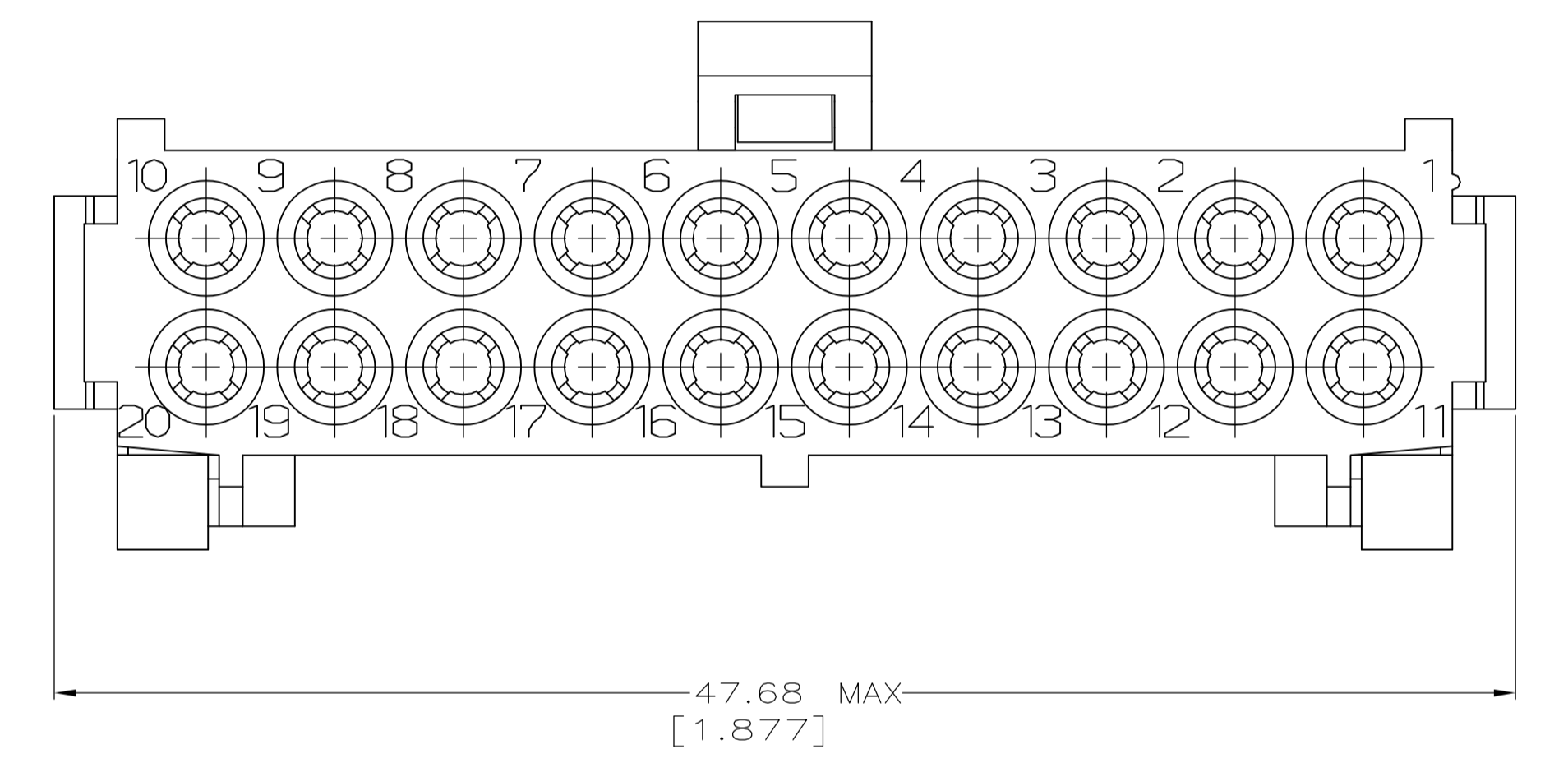
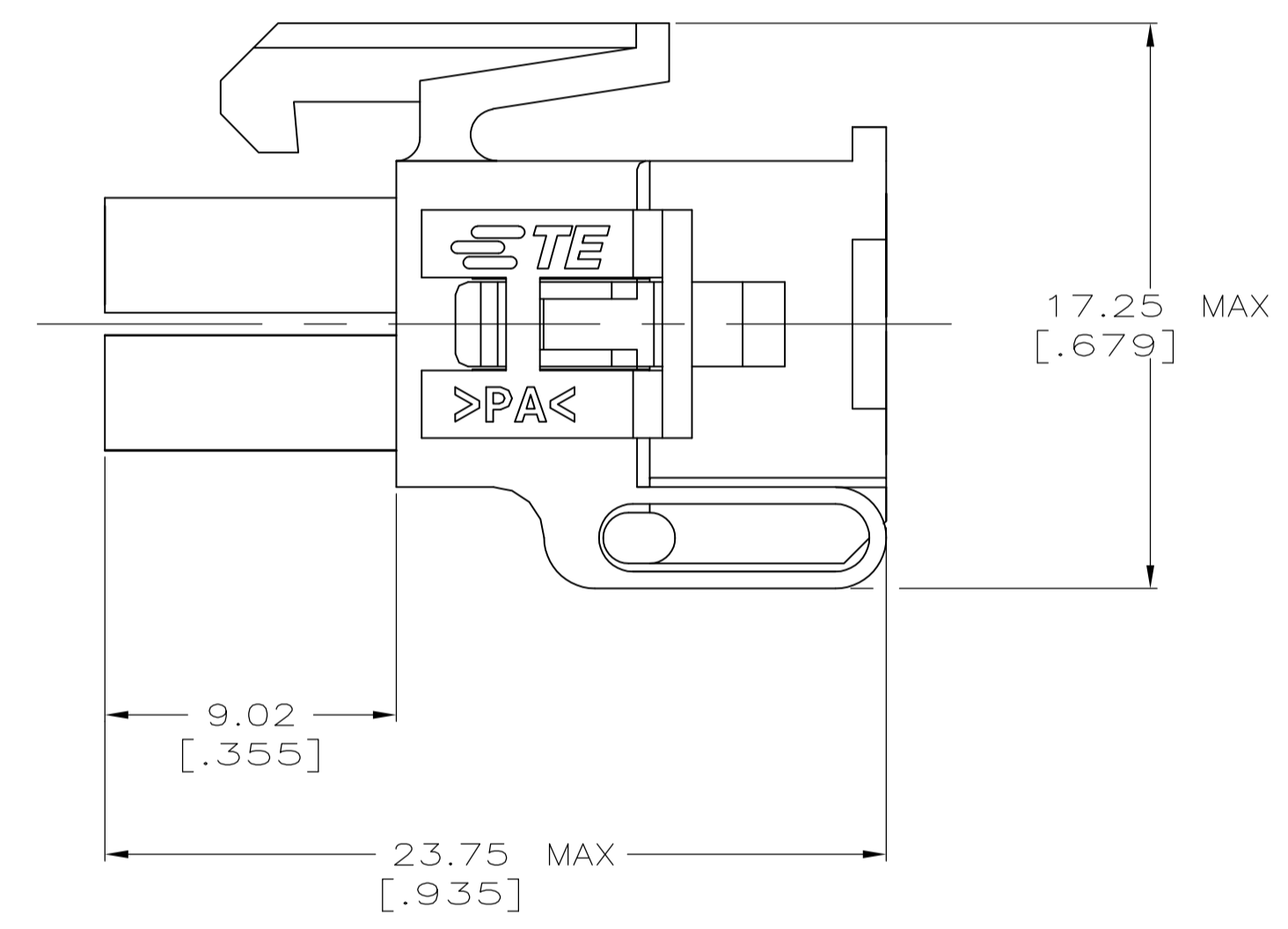
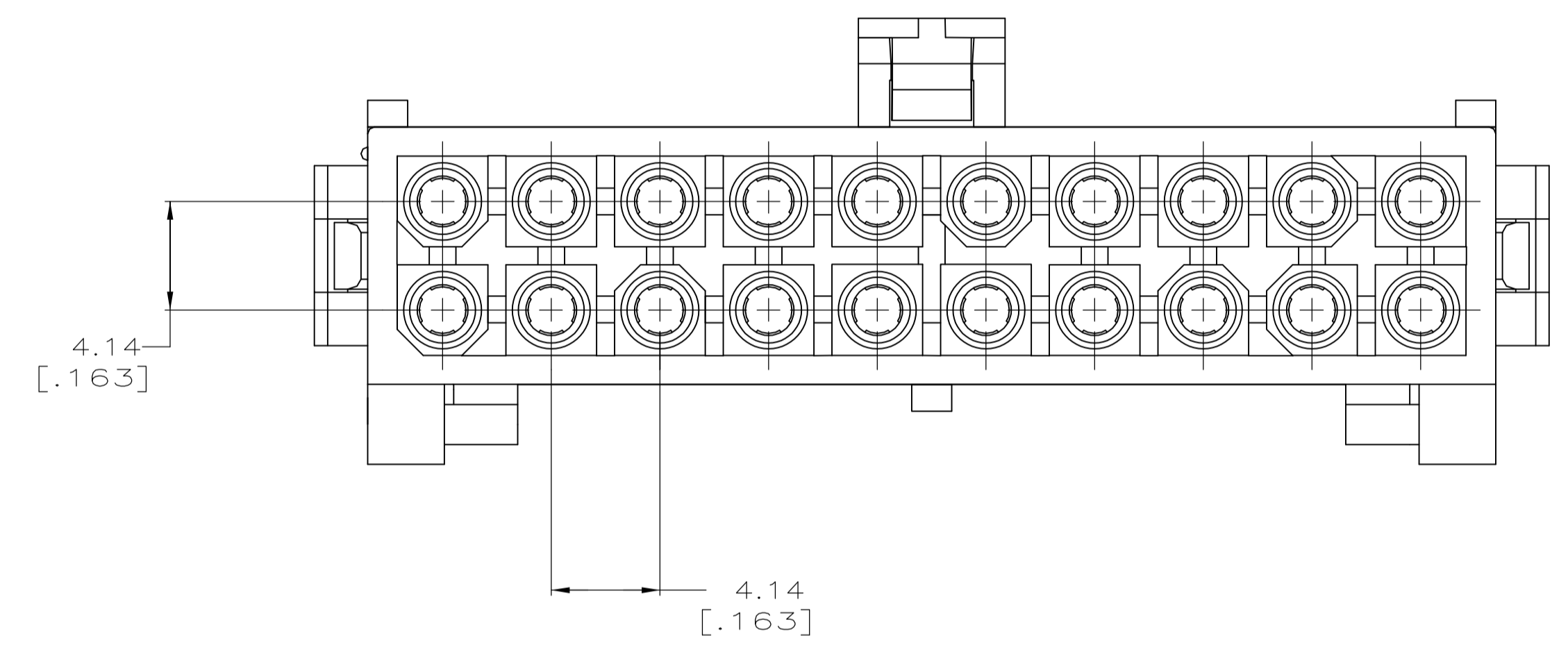


PRE-STAGED CONDITION

1 DIMENSIONS IN BRACKETS ARE IN INCHES.



3-DIMENSIONAL MODEL NTS

794210-1
PART NUMBER

THIS DRAWING IS A CONTROLLED DOCUMENT.		DWG	K. WHITAKER	5-20-97	 TE Connectivity
		CHK	R. SWING	5-20-97	
		APP'D	R. ORSTAD	5-20-97	NAME
		TOLERANCES UNLESS OTHERWISE SPECIFIED:			PRODUCT SPEC
		APPLICATION SPEC			RESTRICTED TO
		MATERIAL			SIZE
		FINISH			WEIGHT
		CUSTOMER DRAWING			SCALE
					SHEET
					OF
					REV